

Fisherbrand PCR Workstation



- » Built-in motorized impeller blower and solid speed control
- » Integral stainless steel work surface
- » 99.99% efficient HEPA filter and disposable prefilter
- » One year warranty

Fisherbrand™ PCR Workstations provide a controlled environment in which to perform polymerase chain reaction experiments, thus reducing contamination risk. HEPA filtered air is directed downward over the work area to provide ISO Class 5 conditions. PCR Workstations provide product protection only and should not be used in conjunction with hazardous material, toxins or radionuclides.

UV light with digital timer. Provides UV light exposure continuously or in user-selected increments of 5, 10, 15, 30, 60, 120 or 240 minutes to deactivate DNA and RNA contaminants. When the set time expires, the UV light automatically switches off in preparation for the next experiment.

PCR Specifications and Ordering Information

Model	2'	3'
Nominal downflow velocity	40-55 fpm	40-55 fpm
Sash Opening Height	9.4"	9.4"
Chamber DxWxH	22.7 x 27.8 x 22.6"	34.7 x 27.8 x 22.6"
Exterior DxWxH	28.8 x 24 x 37.9"	28.8 x 36 x 37.9"
Shipping Weight	125 lbs.	160 lbs.
Electrical Requirements	115V 60Hz, 3A, 83W	115V 60Hz, 3A, 108W
Cat. No.	09-681-202	103-603-08
Electrical Requirements	230V 50/60Hz, 2A, 45W	230V 50/60Hz, 2A, 60W
Cat. No.	09-681-203	103-603-09
Replacement HEPA Filter		Replacement HEPA Filter, 99.99% efficient on particles 0.3 micron in size. Not suitable for volatile organic material.
Cat. No.	09-681-205	103-603-11
Replacement Disposable Prefilter		Corrugated paper prefilter traps large particles to extend HEPA filter life. Should be checked every three months. Shipping weight 1 lb.
Cat No.	09-681-204	103-603-10
Telescoping Base Stand with fixed feet		Telescoping legs adjust in 1" increments to provide a working height from 30" to 36". Fixed feet. ADA-compliant. 24"L x 29"W. Shipping weight 100 lbs.
Cat No.	16-108-307	16-101-002
Telescoping Base Stand with casters		Telescoping legs adjust in 1" increments to provide a working height from 30" to 36". Casters. ADA-compliant. 24"L x 29"W. Shipping weight 100 lbs.
Cat No.	16-108-244	16-101-123

Tempered safety glass sash. Sloped 10° for less glare and closer, more comfortable viewing than vertical sashes offer. The glass is UV opaque and unaffected by UV irradiation. Features a spring-loaded latch so that the sash may be pivoted upward and locked open at 17 3/4" high for loading and cleaning.

Glare-free fluorescent lighting. The lamp is located above the work area, out of contact with the filtered air.

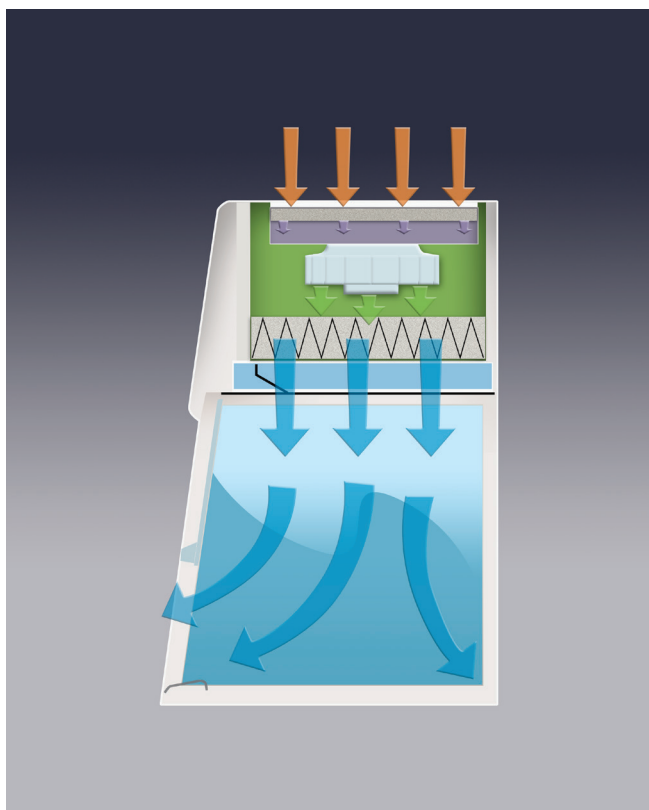
Easy-to-reach light and blower switches. The three-way light switch powers the fluorescent and UV light, but only one at a time, helping to protect the operator from inadvertent UV exposure.

UV-resistant, powder epoxy-coated aluminum and steel construction. Glacier white in color.

Front-mounted Minihelic™* pressure gauge. Indicates the total system pressure across the HEPA filter and pressurized plenum to help determine HEPA filter loading.

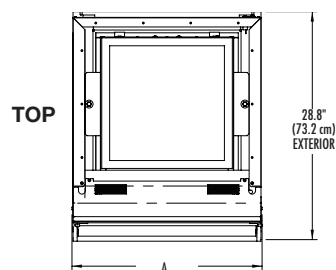
Epoxy-coated steel panel with handles and inter-locked UV light. If front panel is not in place over the sash opening, UV light will not operate. Provides operator safety and peace of mind.

*Minihelic is a registered trademark of Dwyer Instruments, Inc.

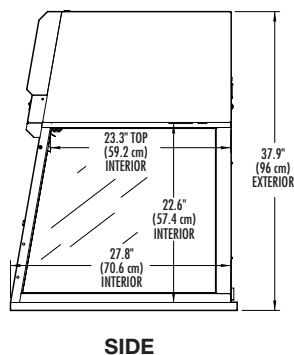
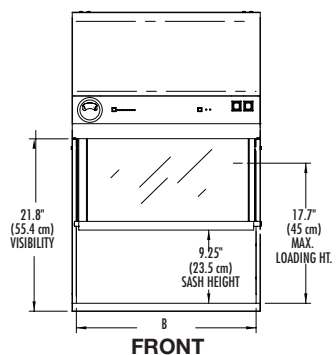


- Room Air
- HEPA-Filtered Air
- Unfiltered Air Under Negative Pressure
- Unfiltered Air Under Positive Pressure

» During operation, room air is drawn through a prefilter in the top of the cabinet to trap large particles. Then, the air flows through a 99.99% efficient HEPA filter and is projected vertically over the work area. This HEPA-filtered air prevents contaminants from entering the work area and provides a particulate-free work environment that minimizes cross contamination. The workstation provides product/sample protection only. It does not protect personnel.



SIZE	"A"	"B"
2'	24.0" (61 cm)	22.7" (57.7 cm)
3'	36.0" (91.4 cm)	34.7" (88.1 cm)



Two convenient utility ports with iris openings. Allow passages of tubing and electrical cords from equipment inside the enclosure through the back for connection to services. Plugs are provided to seal the ports when not in use.

ETL listed. All 115 volt, 60 Hz models carry the ETL mark signifying that they are certified to UL Standard 3101-1/61010-1 and CAN/CSA C22.2 No. 1010.1.

CE mark. All 230 volt, 50/60 Hz models conform to the CE requirements for electrical safety and electromagnetic compatibility.

In the United States:

For customer service, call 1-800-766-7000
 To fax an order, use 1-800-926-1166
 To order online: fishersci.com

