



Standard fluid transfer assemblies

Modular connectivity enabling greater efficiency

Fluid transfer assembly products can help with time and cost efficiencies

Our newest standard fluid transfer assembly products connect to the Thermo Scientific™ Labtainer™ BioProcess Containers (BPCs), Productainer™ BPCs, single-use bioreactors, mixers, and fermentors right on your production shop floor. Our standard fluid transfer assemblies are delivered ready to use, helping to reduce your product supply cost and lead times.

One set of stocked products for most upstream and downstream process operations

Our standard fluid transfer assemblies allow you to reduce the number of customized stock keeping units (SKUs), helping to save costs, simplifying the product ordering process, and helping to reduce your product storage requirements.

Connect to our catalog BPCs, single-use mixers, fermentors, and bioreactors

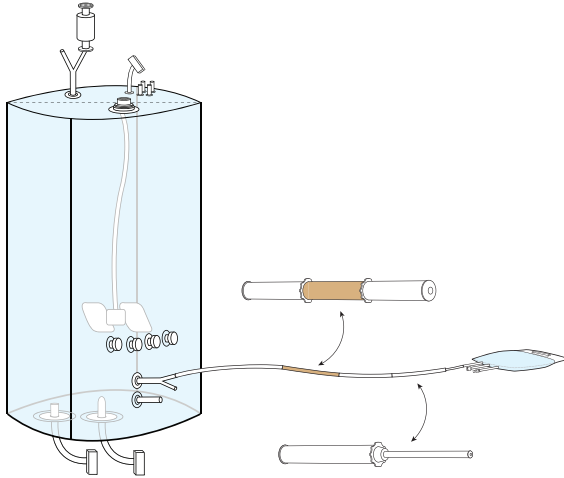
Use our interconnectable standard single-use products for most of your process needs, including:

- Media and supplement preparation and storage
- Bioreactor or fermentor feed
- Bioreactor or fermentor harvest and storage
- Purification buffer preparation
- Waste collection
- Bulk drug storage and transport
- Sample collection from bioreactors or fermentors
- Culture media preparation and storage
- Process liquid preparation and storage
- Chromatography feed and fraction collection



Workflow applications

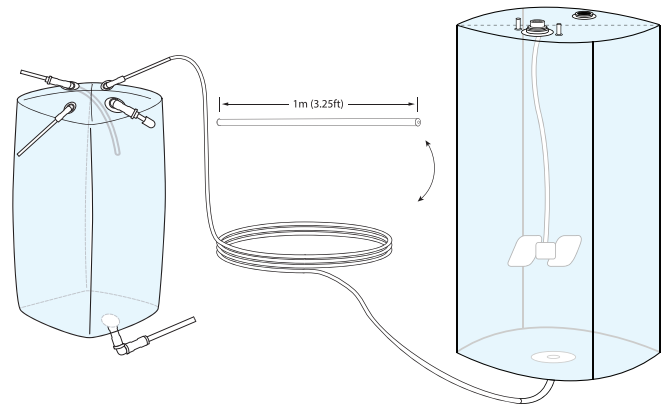
Fluid transfer assemblies are the fundamental tools that deliver maximal impact across the workflow. The extension set, adaptor set, Y set, and pump set facilitate the essential tasks of fluid transfer and, when used in combination with one another, give users the power to easily complete many common bioprocessing operations. A selection of applications utilizing fluid transfer assemblies are shown below.



Sample collection from single-use bioreactor

Associated products:

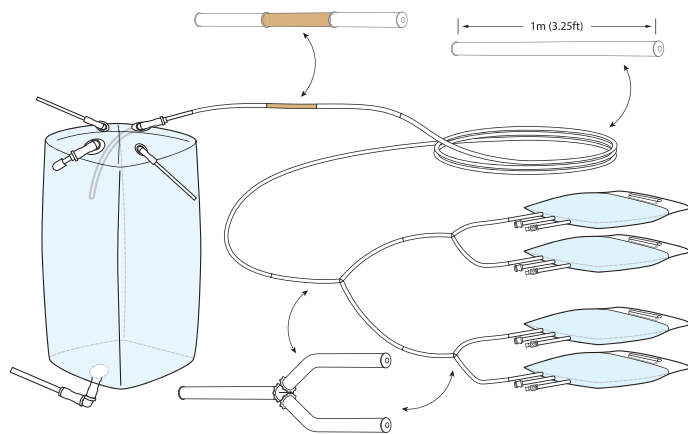
- Single-use bioreactor
- 3D BPC
- 2D BPC
- Pump and adaptor sets



Process liquid prep and storage

Associated products:

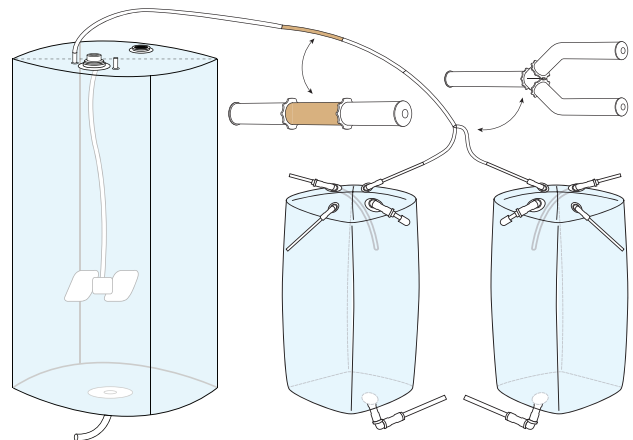
- Single-use mixer
- 3D BPC
- Extension set



Media and supplement prep and storage

Associated products:

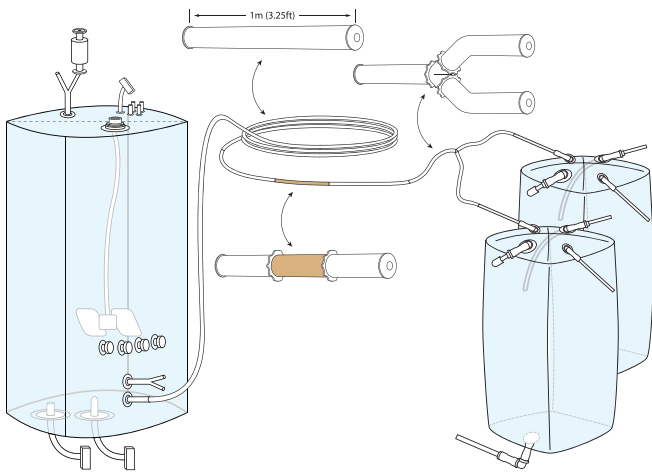
- 3D BPC
- 2D BPC
- Pump, Y, and extension sets



Culture media prep and storage

Associated products:

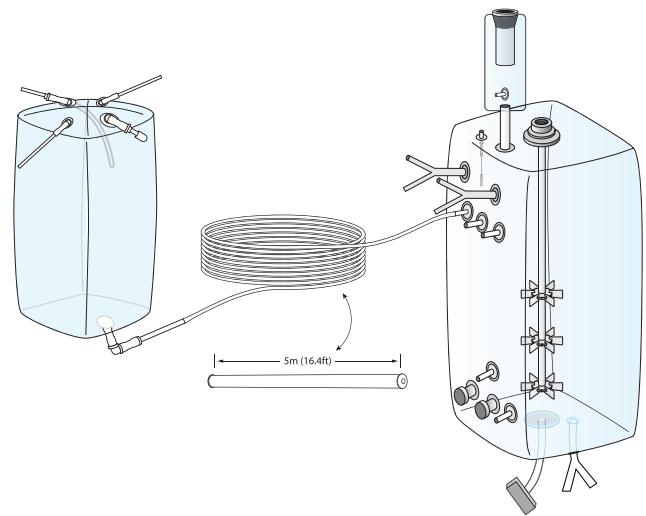
- 3D BPC
- Pump and Y sets



Single-use bioreactor for harvest and storage

Associated products:

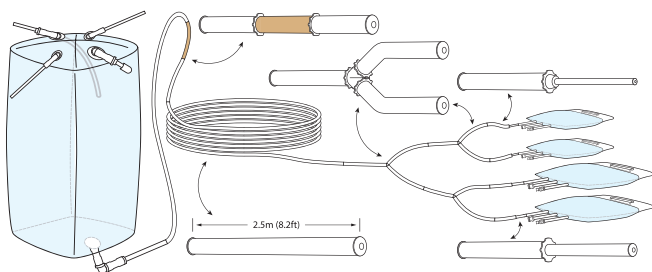
- Single-use bioreactor
- 3D BPC
- Pump, Y, and extension sets



Single-use fermentor feed

Associated products:

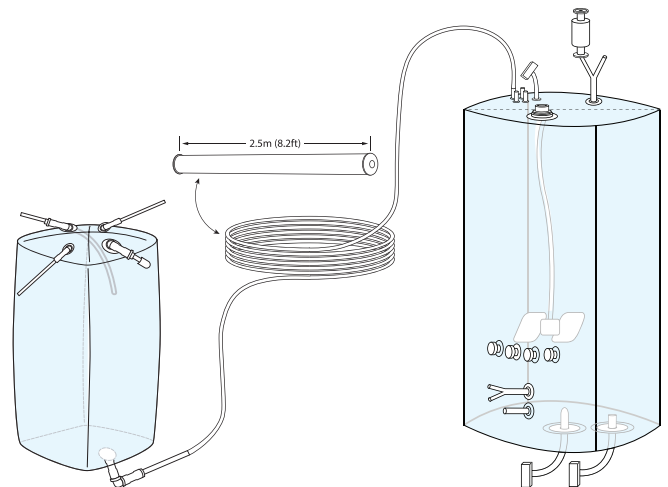
- Single-use fermentor
- 3D BPC
- Extension set



Bulk drug storage and transport

Associated products:

- 3D BPC
- 2D BPC
- Pump, Y, and extension sets



Single-use bioreactor feed

Associated products:

- Single-use bioreactor
- 3D BPC
- Extension set



High quality at catalog product prices

Our single-use products use fit-for-purpose components sourced only from approved suppliers.

The Thermo Scientific™ standard single-use products are characterized using ISO, USP, EP, and ASTM test methods to provide superior performance on the shop floor.

All Thermo Scientific™ BPC products are produced and assembled under cGMP conditions in ISO 7 clean areas, which helps ensure a high level of product quality and full lot traceability.

4 manufacturing facilities on 2 continents

End users enjoy the assurance of uninterrupted product supply—removing any concern about production shutdown due to supply shortages.

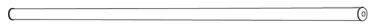
Whether you are producing human vaccines or veterinary, standard single-use products are designed to fit your process operations.

Ordering information

Take advantage of our try-before-you-buy program, or contact your local sales representative to schedule an on-site demonstration.

Extension sets

- Single length of C-Flex™ tubing to connect separate vessels, BPCs, or other single-use accessories
- Available in multiple lengths and can be combined to bridge additional distances



Tubing size	Tubing length	End connections	Cat. No.
Extension sets			
3.2 mm (1/8 in.) ID, 1.6 mm (1/16 in.) wall, C-Flex 374	1 m (39.4 in.)	Capped— for welders	SH3107901
3.2 mm (1/8 in.) ID, 1.6 mm (1/16 in.) wall, C-Flex 374	2.5 m (98.4 in.)	Capped— for welders	SH3107902
3.2 mm (1/8 in.) ID, 1.6 mm (1/16 in.) wall, C-Flex 374	5 m (196.9 in.)	Capped— for welders	SH3107903



Tubing size	Tubing length	End connections	Cat. No.
Extension sets			
6.35 mm (1/4 in.) ID, 1.6 mm (1/16 in.) wall, C-Flex 374	1 m (39.4 in.)	Capped— for welders	SH3108001
6.35 mm (1/4 in.) ID, 1.6 mm (1/16 in.) wall, C-Flex 374	2.5 m (98.4 in.)	Capped— for welders	SH3108002
6.35 mm (1/4 in.) ID, 1.6 mm (1/16 in.) wall, C-Flex 374	5 m (196.9 in.)	Capped— for welders	SH3108003
6.35 mm (1/4 in.) ID, 2.4 mm (3/32 in.) wall, C-Flex 374	1 m (39.4 in.)	Capped— for welders	SH3108101
6.35 mm (1/4 in.) ID, 2.4 mm (3/32 in.) wall, C-Flex 374	2.5 m (98.4 in.)	Capped— for welders	SH3108102
6.35 mm (1/4 in.) ID, 2.4 mm (3/32 in.) wall, C-Flex 374	5 m (196.9 in.)	Capped— for welders	SH3108103



Tubing size	Tubing length	End connections	Cat. No.
Extension sets			
9.52 mm (3/8 in.) ID, 3.2 mm (1/8 in.) wall, C-Flex 374	1 m (39.4 in.)	Capped— for welders	SH3108201
9.52 mm (3/8 in.) ID, 3.2 mm (1/8 in.) wall, C-Flex 374	2.5 m (98.4 in.)	Capped— for welders	SH3108202
9.52 mm (3/8 in.) ID, 3.2 mm (1/8 in.) wall, C-Flex 374	5 m (196.9 in.)	Capped— for welders	SH3108203



Tubing size	Tubing length	End connections	Cat. No.
Extension sets			
12.7 mm (1/2 in.) ID, 3.2 mm (1/8 in.) wall, C-Flex 374	1 m (39.4 in.)	Capped— for welders	SH3108301
12.7 mm (1/2 in.) ID, 3.2 mm (1/8 in.) wall, C-Flex 374	2.5 m (98.4 in.)	Capped— for welders	SH3108302
12.7 mm (1/2 in.) ID, 3.2 mm (1/8 in.) wall, C-Flex 374	5 m (196.9 in.)	Capped— for welders	SH3108303

Adaptor sets

- Two lengths of differing size C-Flex tubing joined in a single length
- Useful for connecting tubing or porting of differing sizes



Tubing size	Tubing length	End connections	Cat. No.
-------------	---------------	-----------------	----------

Adaptor sets

3.2 mm (1/8 in.) ID x 1.6 mm (1/16 in.) wall to 6.35 mm (1/4 in.) ID x 1.6 mm (1/16 in.) wall, C-Flex 374	0.5 m (19.7 in.)	Capped— for welders	SH3108401
-----------------------------------------------------------------------------------------------------------	------------------	------------------------	-----------

3.2 mm (1/8 in.) ID x 1.6 mm (1/16 in.) wall to 6.35 mm (1/4 in.) ID x 2.4 mm (3/32 in.) wall, C-Flex 374	0.5 m (19.7 in.)	Capped— for welders	SH3108501
-----------------------------------------------------------------------------------------------------------	------------------	------------------------	-----------



Tubing size	Tubing length	End connections	Cat. No.
-------------	---------------	-----------------	----------

Adaptor set

3.2 mm (1/8 in.) ID x 1.6 mm (1/16 in.) wall to 9.52 mm (3/8 in.) ID x 3.2 mm (1/8 in.) wall, C-Flex 374	0.5 m (19.7 in.)	Capped— for welders	SH3108601
----------------------------------------------------------------------------------------------------------	------------------	------------------------	-----------



Tubing size	Tubing length	End connections	Cat. No.
-------------	---------------	-----------------	----------

Adaptor set

6.35 mm (1/4 in.) ID x 1.6 mm (1/16 in.) wall to 9.52 mm (3/8 in.) ID x 3.2 mm (1/8 in.) wall, C-Flex 374	0.5 m (19.7 in.)	Capped— for welders	SH3108701
-----------------------------------------------------------------------------------------------------------	------------------	------------------------	-----------



Tubing size	Tubing length	End connections	Cat. No.
-------------	---------------	-----------------	----------

Adaptor sets

6.35 mm (1/4 in.) ID x 1.6 mm (1/16 in.) wall to 12.7 mm (1/2 in.) ID x 3.2 mm (1/8 in.) wall, C-Flex 374	0.5 m (19.7 in.)	Capped— for welders	SH3108801
-----------------------------------------------------------------------------------------------------------	------------------	------------------------	-----------

6.35 mm (1/4 in.) ID x 2.4 mm (3/32 in.) wall to 9.52 mm (3/8 in.) ID x 3.2 mm (1/8 in.) wall, C-Flex 374	0.5 m (19.7 in.)	Capped— for welders	SH3108901
-----------------------------------------------------------------------------------------------------------	------------------	------------------------	-----------

6.35 mm (1/4 in.) ID x 2.4 mm (3/32 in.) wall to 12.7 mm (1/2 in.) ID x 3.2 mm (1/8 in.) wall, C-Flex 374	0.5 m (19.7 in.)	Capped— for welders	SH3109001
-----------------------------------------------------------------------------------------------------------	------------------	------------------------	-----------



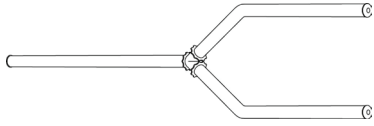
Tubing size	Tubing length	End connections	Cat. No.
-------------	---------------	-----------------	----------

Adaptor set

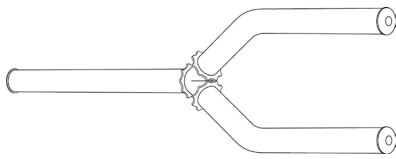
9.52 mm (3/8 in.) ID x 3.2 mm (1/8 in.) wall to 12.7 mm (1/2 in.) ID x 3.2 mm (1/8 in.) wall, C-Flex 374	0.5 m (19.7 in.)	Capped— for welders	SH3109101
----------------------------------------------------------------------------------------------------------	------------------	------------------------	-----------

Y sets

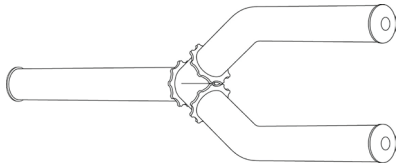
- Three lengths of C-Flex tubing joined by a Y-connector
- Enables user to split one connection into two or combine two connections into one
- Join multiple Y sets to create a branching assembly



Tubing size	Tubing length	End connections	Cat. No.
Y set			
3 x 3.2 mm (1/8 in.) ID x 1.6 mm (1/16 in.) wall, C-Flex 374	2 x 0.51 m (20 in.) to 0.51 m (20 in.)	Capped— for welders	SH3109201



Tubing size	Tubing length	End connections	Cat. No.
Y sets			
3 x 6.35 mm (1/4 in.) ID x 1.6 mm (1/16 in.) wall, C-Flex 374	2 x 0.51 m (20 in.) to 0.51 m (20 in.)	Capped— for welders	SH3109301
3 x 6.35 mm (1/4 in.) ID x 2.4 mm (3/32 in.) wall, C-Flex 374	2 x 0.51 m (20 in.) to 0.51 m (20 in.)	Capped— for welders	SH3109401



Tubing size	Tubing length	End connections	Cat. No.
Y sets			
3 x 9.52 mm (3/8 in.) ID x 3.2 mm (1/8 in.) wall, C-Flex 374	2 x 0.51 m (20 in.) to 0.51 m (20 in.)	Capped— for welders	SH3109501
3 x 12.7 mm (1/2 in.) ID x 3.2 mm (1/8 in.) wall, C-Flex 374	2 x 0.51 m (20 in.) to 0.51 m (20 in.)	Capped— for welders	SH3109601

Pump sets

- Two lengths of C-Flex tubing joined by a section of Pharmed™ BPT
- Designed to deliver extended performance when used with a peristaltic pump



Tubing size	Tubing length	End connections	Cat. No.
Pump sets			
0.25 m (10 in.) C-Flex 374 to 0.5 m (19.7 in.) Pharmed BPT to 0.25 m (10 in.) C-Flex 374	3.2 mm (1/8 in.) ID x 1.6 mm (1/16 in.) wall	Capped— for welders	SH3109701
0.25 m (10 in.) C-Flex 374 to 0.5 m (19.7 in.) Pharmed BPT to 0.25 m (10 in.) C-Flex 374	6.35 mm (1/4 in.) ID x 1.6 mm (1/16 in.) wall	Capped— for welders	SH3109801
0.25 m (10 in.) C-Flex 374 to 0.5 m (19.7 in.) Pharmed BPT to 0.25 m (10 in.) C-Flex 374	6.35 mm (1/4 in.) ID x 2.4 mm (3/32 in.) wall	Capped— for welders	SH3109901



Tubing size	Tubing length	End connections	Cat. No.
Pump set			
0.25 m (10 in.) C-Flex 374 to 0.5 m (19.7 in.) Pharmed BPT to 0.25 m (10 in.) C-Flex 374	9.52 mm (3/8 in.) ID x 3.2 mm (1/8 in.) wall	Capped— for welders	SH3110001



Tubing size	Tubing length	End connections	Cat. No.
Pump set			
0.25 m (10 in.) C-Flex 374 to 0.5 m (19.7 in.) Pharmed BPT to 0.25 m (10 in.) C-Flex 374	12.7 mm (1/2 in.) ID x 3.2 mm (1/8 in.) wall	Capped— for welders	SH3110101

Let's move forward, together

We believe in the promise of biologics and your mission to bring them to market. As a pioneer in the industry, we've benefited from working hand-in-hand with customers, as we excel as both an innovative supplier and a custom manufacturer.

Our diverse roots bring together world-class solutions in an integrated, end-to-end bioprocessing workflow, while our global scale enables us to better serve our customers. Learn more at thermofisher.com/bioproduction

Single-use technologies

Flexible and rigid solutions with an open architecture approach



Cell culture

Worldwide recognition for superior quality and consistent results



Chemicals and supply chain logistics

Built to be an extension of your supply chain



Purification

Solutions for even the most complex molecules



Measurement and control

Integrated intelligence and plug-and-play flexibility



Analytical and QC testing

Rapid molecular methods for pharmaceutical manufacturing



Find out more at fishersci.com

In the United States:

For customer service, call 1-800-766-7000
To fax an order, use 1-800-926-1166
To order online: fishersci.com

In Canada:

For customer service, call 1-800-234-7437
To fax an order, use 1-800-463-2996
To order online: fishersci.ca